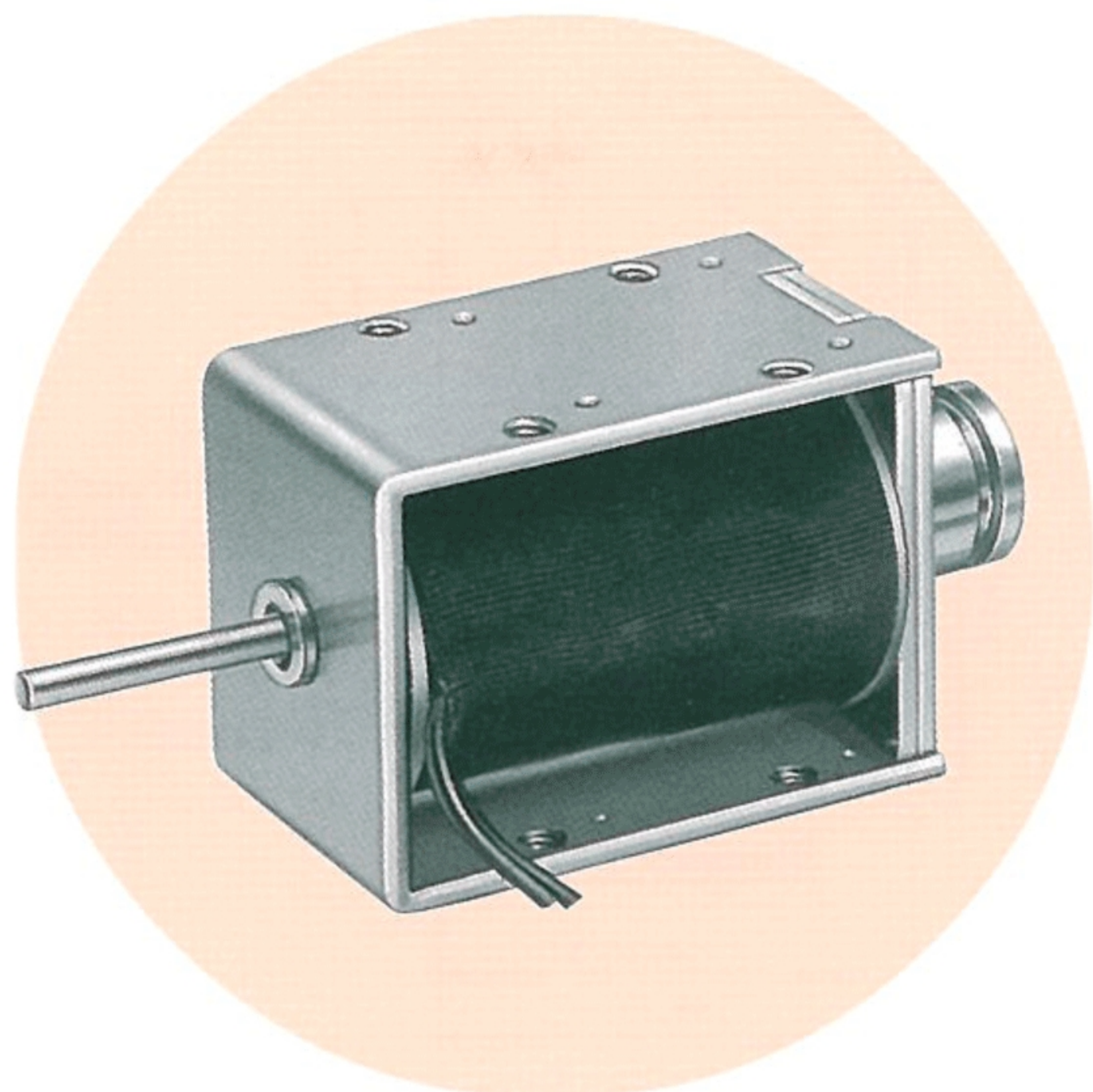
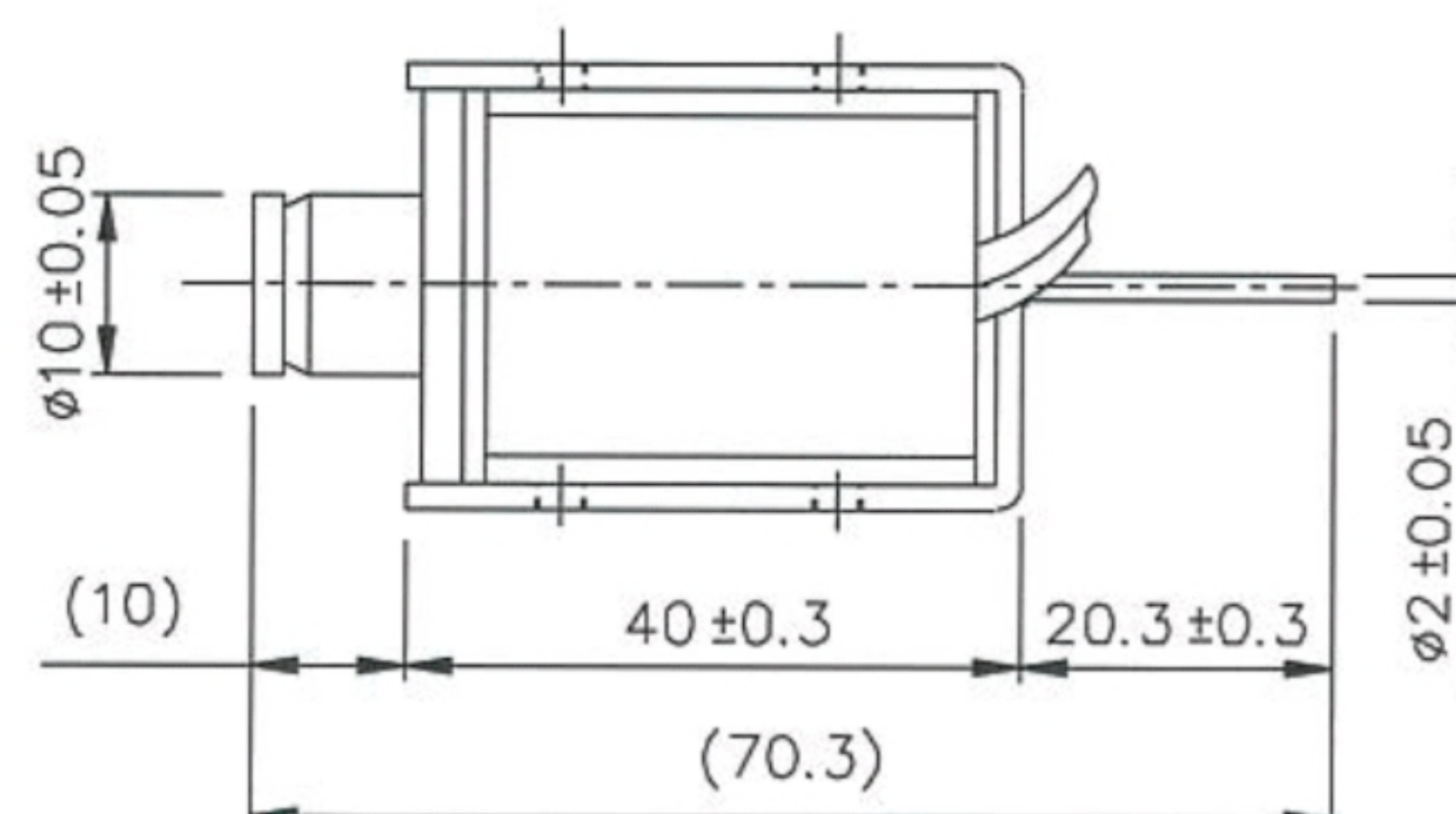
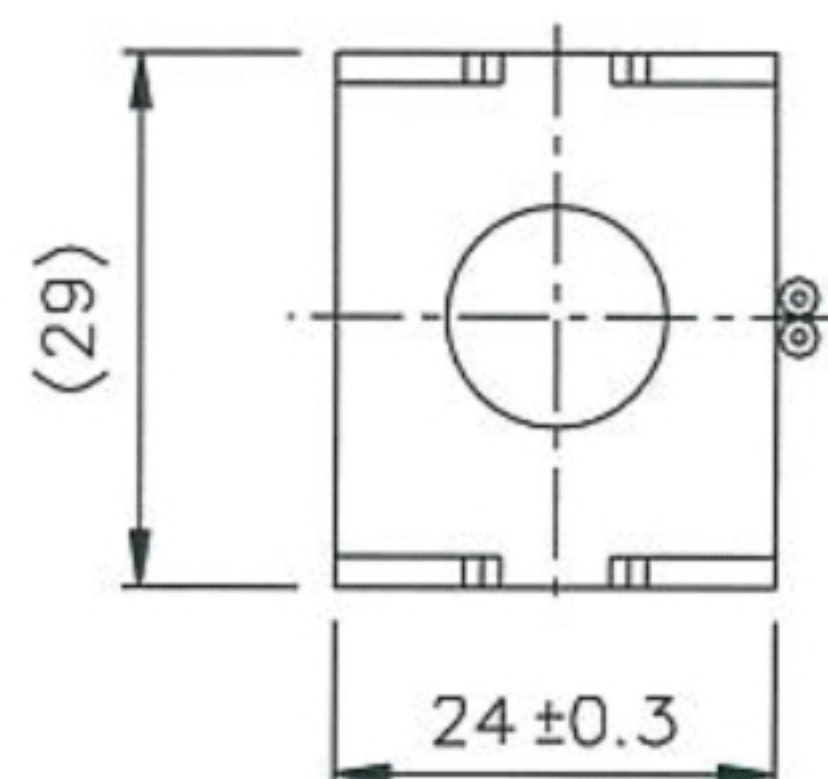
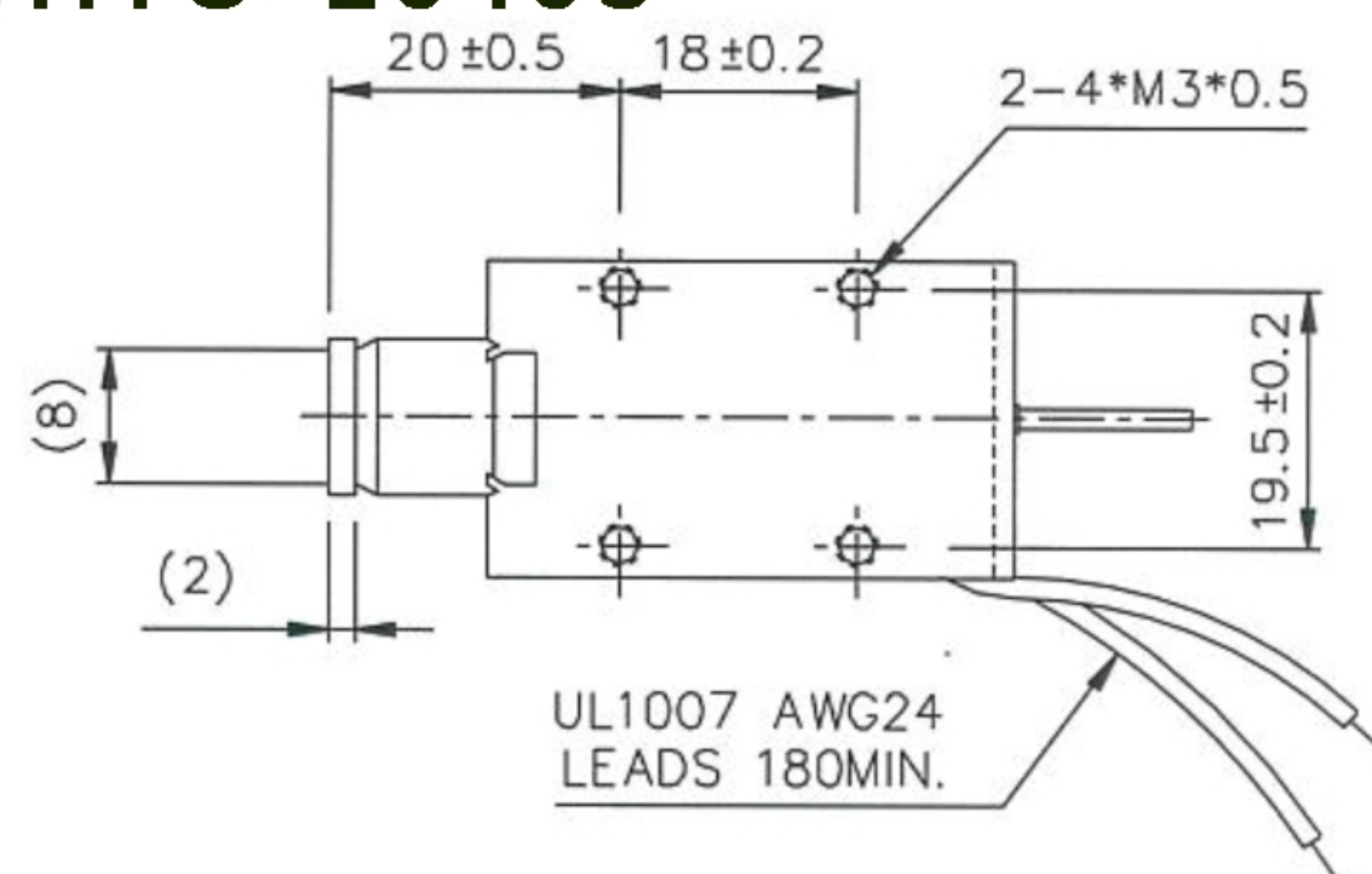


型号/Type no: HTO-1040S

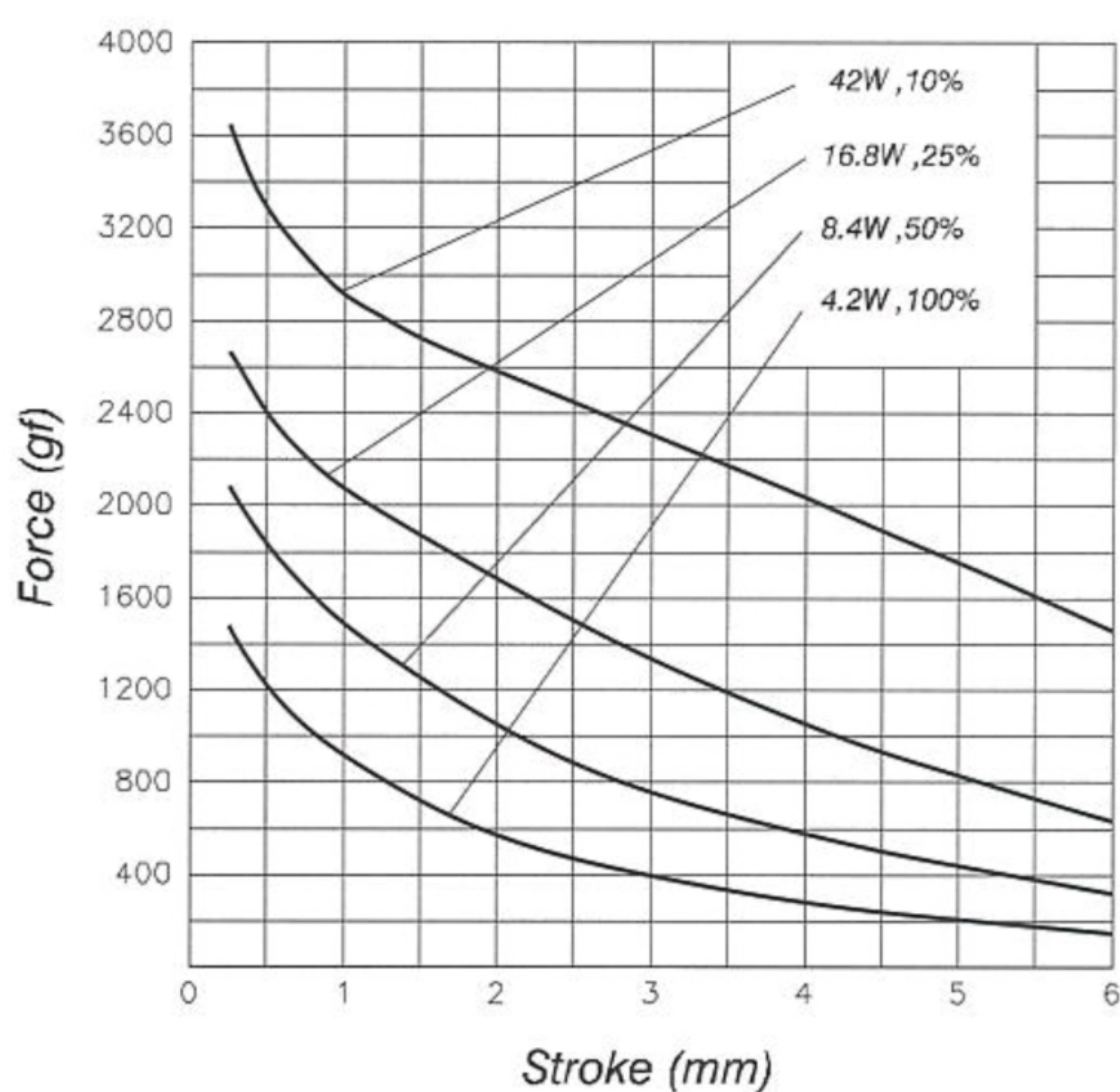


Plunger Weight 可动铁心重量: 22g
Total Weight 总重量: 122g

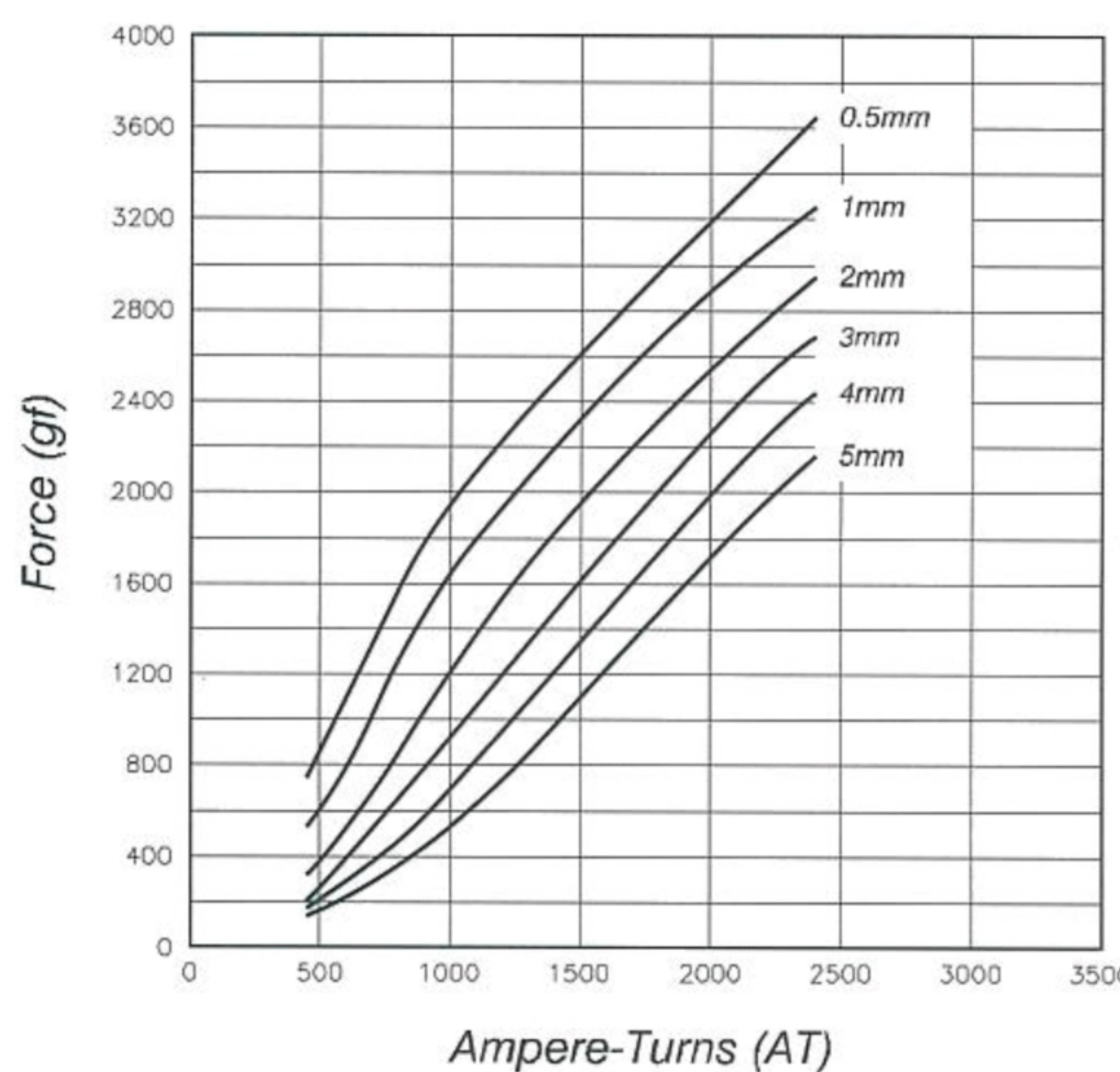


Shown Energized 通电状态 UNIT 单位: mm

STROKE Vs FORCE 行程 / 吸引力



AMPERE-TURNS Vs FORCE 安-匝 / 吸引力



COIL DATA 线圈资料

Duty cycle (%) = $\frac{\text{"ON" time}}{\text{"ON" time} + \text{"OFF" time}} \times 100\%$		Continuous (100%)	Or less (50%)	Or less (25%)	Or less (10%)	
作动周期(%) = $\frac{\text{ON 时间}}{\text{ON时间+ OFF时间}} \times 100\%$		连续 (100%)	间断 (50%)	间断 (25%)	间断 (10%)	
MAX. "on" time in seconds 最大 ON 时间 (秒)		∞	100	36	7	
Watts at 20°C 瓦特数(W) (在 20°C)		4.2	8.4	16.8	42	
Ampere-turns at 20°C AT 值 (在 20°C)		655	925	1310	2075	
Type no.	Resistance (20°C) Ω ± 10%	No. turns	Volts DC			
型号	阻值(Ω) ± 10%	绕线圈数	电压			
HTO-1040S06AA	8.6	930	6	8.5	12	19
HTO-1040S12AA	34	1900	12	17	24	38
HTO-1040S24AA	137	3690	24	34	48	76
HTO-1040S48AA	548	7590	48	68	96	152